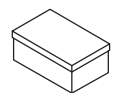


PRIME  
LINE

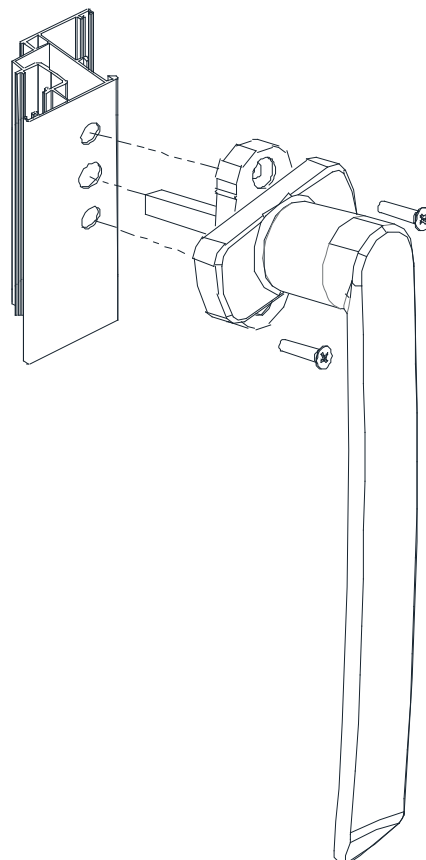
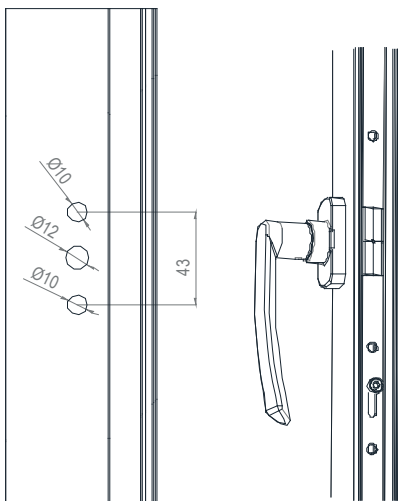


ART

WH-0620

Handle for window

10 pcs



Screw Length	45/50
Spindle Length	32/35/38/40/45/52
Lock Position	90°/180°/360°