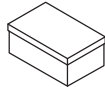




PRIME
LINE

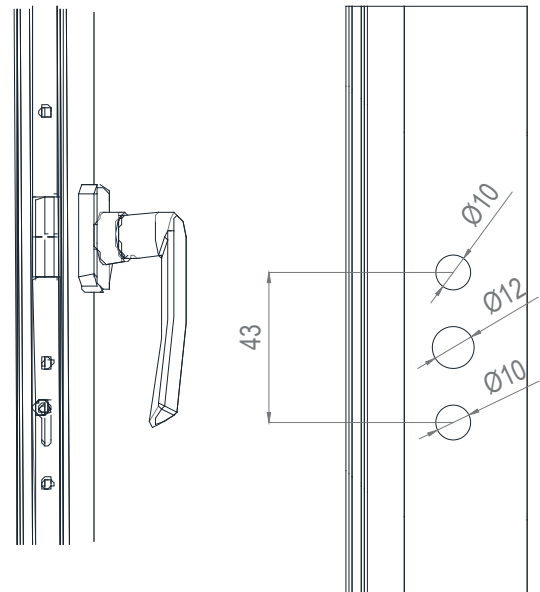
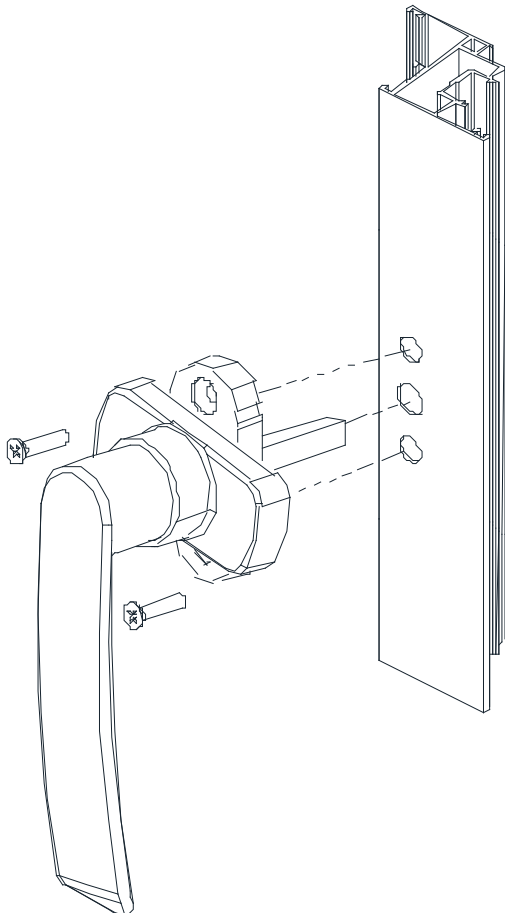
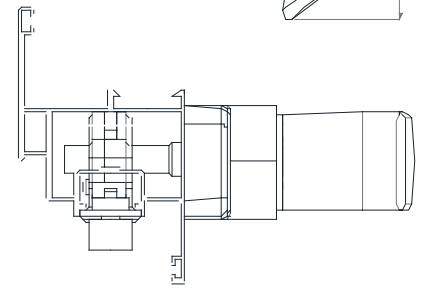
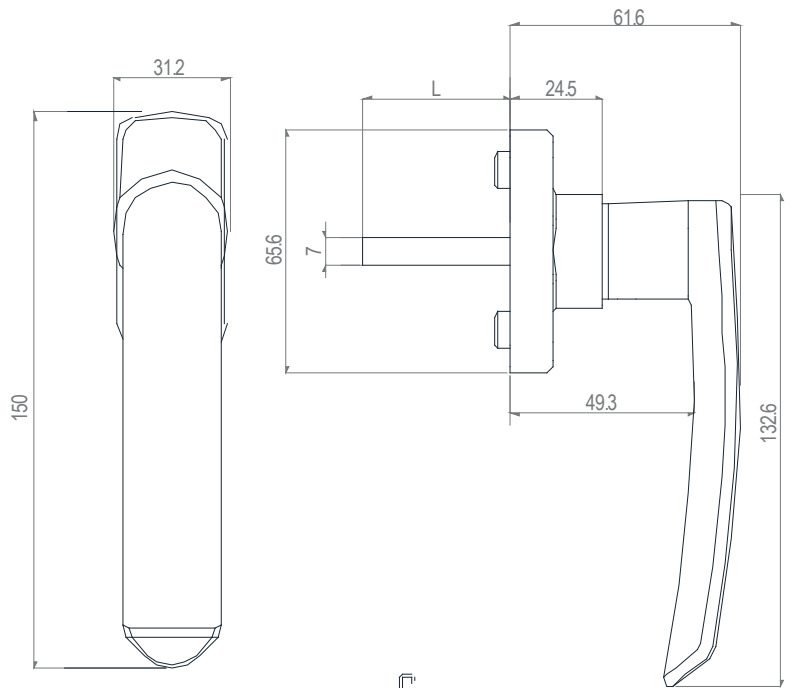


ART

WH-0610

50 pcs

Handle for window



Screw Length	45/50
Spindle Length	32/35/38/40/45/52
Lock Position	90/180/360